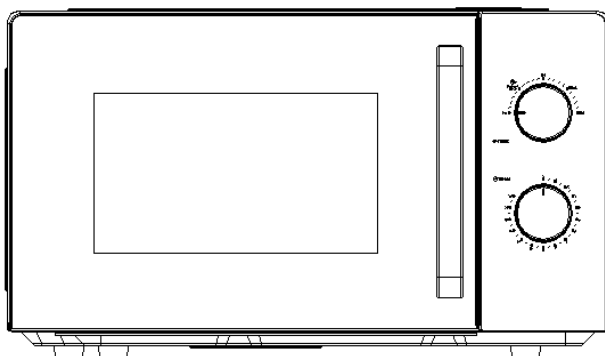


CANDY

MICROWAVE OVEN INSTRUCTION MANUAL



CMW20SMWLI



PAP

**IMPORTANT SAFETY INSTRUCTIONS
READ CAREFULLY AND KEEP FOR FUTURE REFERENCE**

Household use only

SAVE THESE INSTRUCTIONS

IMPORTANT SAFEGUARDS

WARNING: If the door or door seals are damaged, the oven must not be operated until it has been repaired by a trained person.

WARNING: It is hazardous for anyone other than a trained person to carry out any service or repair operation, which involves the removal of any cover, which gives protection against exposure to microwave energy. **WARNING:** Liquids or other food must not be heated in sealed containers since they are liable to explode.

1. Only use utensils that are suitable for use in microwave ovens
2. Metallic containers for food and beverages are not allowed during microwave cooking.
3. When heating food in plastic or paper containers, keep an eye on the oven due to the possibility of ignition
4. The microwave oven is intended for heating food and beverages. Drying of food or clothing and heating of warming pads, slippers, sponges, damp cloth and similar may lead to risk of injury, ignition or fire.
5. If smoke is observed, switch off or unplug the appliance and keep the door closed in order to stifle any flames microwave heating of beverages can result in delayed eruptive boiling, therefore care has to be taken when handling the container;

6. The contents of feeding bottles and baby food jars are to be stirred or shaken and the temperature is to be checked before consumption, in order to avoid burns;
7. Eggs in their shell and whole hard-boiled eggs shall not be heated in microwave ovens since they may explode, even after microwave heating has ended;
8. Failure to maintain the oven in a clean condition could lead to deterioration of The surface that could adversely affect the life of the appliance and possibly result in a hazardous situation.
The microwave oven is intended to be used freestanding or built-in or in a cabinet.
9. The appliance must not be placed in a cabinet
10. Care should be taken not to displace the turntable when removing containers from the appliance.
11. The appliance shall not be cleaned with a steam cleaner.

Warning: When the appliance is operated in the combination mode, children should only use the oven under adult supervision due to the temperatures generated.



CAUTION: HOT SURFACE

12. If the supply cord is damaged, it must be replaced by the manufacturer or its service agent or a similarly qualified person in order to avoid a hazard.
13. This appliance can be used by children aged from 8 years and above and persons with reduced physical, sensory or mental

capabilities or lack of experience and knowledge if they have been given supervision or instruction concerning use of the appliance in a safe way and understand the hazards involved.

14. Children shall not play with the appliance.

15. Cleaning and user maintenance shall not be made by children without supervision.

16. Group 2 Class B appliance

Group 2 ISM equipment: group 2 contains all ISM equipment in which radio-frequency energy is intentionally generated and/or used in the form of electromagnetic radiation for the treatment of material, and EDM and arc welding equipment.

Class B equipment is equipment suitable for use in domestic establishments and in establishments directly connected to a low voltage power supply network which supplies buildings used for domestic purposes.

INSTALLATION

1. Remove the package from the microwave and carefully check the microwave for damage. Such as:

Whether the furnace body is shocked and shows signs of heavy pressure.

Whether the furnace door is flat and the switch is smooth and flexible.

Whether the metal insulation mesh on the furnace door is bent or deformed.

Whether the power cord is loose.

If you find any of the above, please contact your dealer or our special maintenance department immediately.

2. The microwave oven must be placed flat in a ventilated, dry, non-corrosive environment, away from high temperatures and vapors.

3. Do not place any objects on the top of the stove. In order to have sufficient air circulation space, the product should be placed 85cm above the ground. The distance between the sides of the microwave oven and the wall should be no less than 5cm, the distance between the back of the furnace and the wall should be no less than 10cm and the distance from the top wall cabinet should be no less than 20cm.

4. The microwave oven should be away from the TV, radio and antenna (generally greater than 5m), otherwise it will cause interference.

5. The microwave oven should be placed in the place where the power cable is convenient to plug in, and the grounding is guaranteed to be good. In case of leakage, the grounding wire can be formed.

The current loop avoids electric shock.

6. Be sure to operate the microwave oven with the door closed.

7. Do not place the microwave in the cabinet.

8. When using the microwave oven for the first time, since the residue or grease in the manufacturing process exists in the furnace cavity or on the heating pipe, there may often be odor and even white smoke during heating. This is a normal phenomenon and has been used several times. After this, this will not happen, pay attention to open the doors and windows to maintain good ventilation.

CLEANING

MICROWAVE OVEN CARE



CAUTION

The oven should be cleaned regularly and any food deposits removed.



WARNING

1. Remove the power cord from the wall outlet before cleaning. Don't immerse the appliance in water or other fluids when cleaning.
2. Failure to maintain the oven in a clean condition could lead to deterioration of the surface that could adversely affect the life of the appliance and possibly result in a hazardous situation

3. Never use hard detergent, gasoline, abrasive powder or metal brush to clean any part of the appliance
4. Do not remove the waveguide cover
5. When the microwave oven has been used for a long time, there may be some strange odors exist in oven, Following 3 methods can get rid of them:
 - a. Place several lemon slices in a cup, then heat with high Micro Power for 2-3 min.
 - b. Place a cup of red tea in oven, then heat with high micro power.
 - c. Put some orange peel into oven, and then heat them with high Micro Power for 1 minute.
6. **WARNING:** Only allow children to use the oven without supervision when adequate instructions have been given so that the child is able to use the oven in a safe way and understands the hazards of improper use.

TIPS FOR CLEANING

Details for cleaning door seals, cavity and adjacent parts:

Exterior:

Wipe the enclosure with a dampened soft cloth

Door:

Using a dampened soft cloth, wipe clean the door and window

Wipe the door seals and adjacent parts to remove any spill or spatter

Wipe the control panel with a slightly dampened soft cloth

Interior walls:

Wipe clean the cavity with a dampened soft cloth

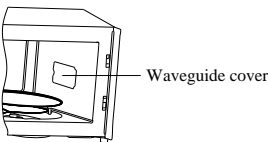
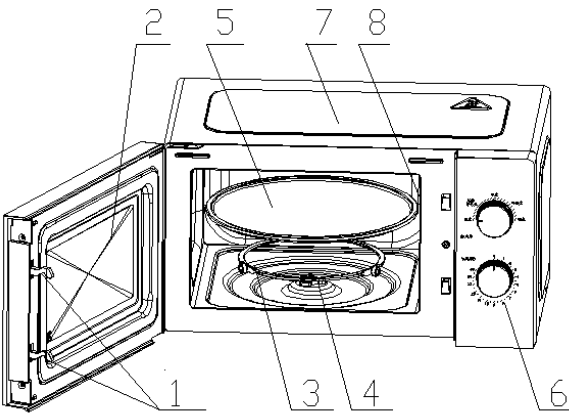
Wipe clean the waveguide cover to remove any food splashed

Turntable/ Rotation ring/ Rotation axis:

Wash with mild soap water

Rinse with clean water and allow drying thoroughly

PRODUCT INSTRUCTION



1) Door lock

Microwave oven door must be properly closed in order for it to operate

2) Viewing window

Allow user to see the cooking status

3) Rotating ring

The glass turntable sits on its wheels; it supports the turntable and helps it to balance when rotating

4) Rotating axis

The glass turntable sits on the axis; the motor underneath it drives the turntable to rotate

5) Turntable

The food sits on the turntable, its rotation during operation helps to cook food evenly



CAUTION

- Place the rotating ring first
- Fit the turntable onto the rotating axis and make sure that it is geared in properly

6) Control panel

See below in details (the control panel is subject to change without prior notice)

7) Outer cover

Used for wrapping and protecting the internal structural parts and electrical components of the whole machine

8) Waveguide cover

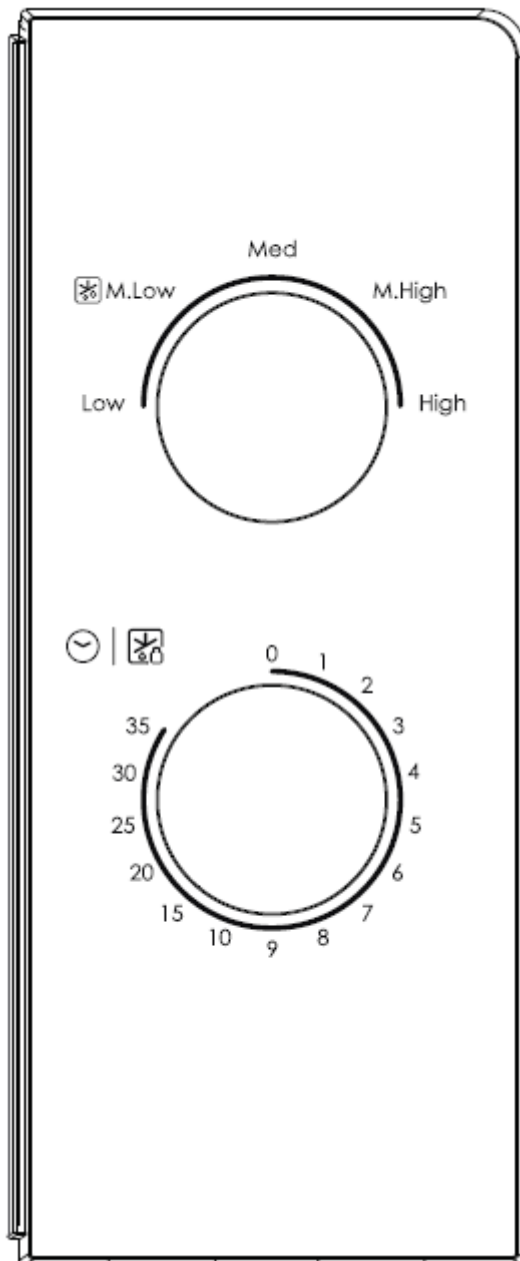
It is inside the microwave oven, next to the wall of control panel.



WARNING

Never remove the waveguide cover

OPERATION OF CONTROL PANEL



1. CLOCK SETTING

The maximum setting is 35 minutes, there is a ringtone at the end, and the knob returns to the “0” position.

2. MICROWAVE FUNCTION

There are five firepower files:

HIGH	100% power output	700W	(Quick cooking)
M.High	80% power output	550W	(Normal cooking)
Med	55% power output	390W	(Slow cooking)
M.Low	30% power output	200W	(Defrost food)
LOW	17% power output	120W	(Keep warm)

Below is some food defrosting time advice:

	Weight	Defrost time
Meat	0.1~1.0kg	1:30~26:00
Poultry	0.2~1.0kg	2:30~22:00
Sea food	0.1~0.9kg	1:30~14:00

OPERATION

1) Connect the cord

- Before connecting the cord, make sure the timer is set to “0” position.
- Do not block the ventilation.

2) Place the food on the glass turntable and close the door

- Food must be contained in a utensil

3) Select the desired power level

4) Set the timer

If desired time is less than 10 minutes, turn the firepower knob to over 10 minutes position and then turn back to the desired time setting.

5) Once the desired time is set, the cooking begins. If pausing in between is needed, just open the door at any time, and close it to resume operation.

6) When it times out and cooking ends, the microwave oven produces a bell ring, the inside lamp will also be automatically turned off.

If food is removed before time out, make sure to set back the timer to “0” position, this avoids the microwave oven from operating in empty load.

UTENSILS GUIDELINE

Depending on the cooking method, it is necessary to choose a safe and suitable vessel. If it is not properly selected, it will not only affect the cooking effect, but also cause damage to the vessel or microwave oven. Please refer to the table below for use:

Material of container	Microwave	Notes
Heat-resistant ceramic	Yes	Never use the ceramics which are decorated with metal rim or glazed
Heat-resistant plastic	Yes	Can not be used for long time microwave cooking
Heat-resistant glass	Yes	
Grill rack	No	
Plastic film	Yes	It should not be used when cooking meat or chops as the over-temperature may do damage to the film

COOKING TIPS

The following factors may affect the cooking result:

Food arrangement

Place thicker areas towards outside of dish, the thinner part towards the centre and spread it evenly. Do not overlap if possible.

Cooking time length

Start cooking with a short time setting, evaluate it after it times out and extend it according to the actual need. Over cooking may result in smoke and burns.

Cooking food evenly

Food such as chicken, hamburger or steak should be turned once during cooking.

Depending on the type of food, if applicable, stir it from outside to centre of dish once or twice during cooking

Allow standing time

After cooking times out, leave the food in the oven for an adequate length of time, this allows it to complete its cooking cycle and cooling it down in a gradual manner

Whether the food is done

Color and hardness of food help to determine if it is done, these include:

- Steam coming out from all parts of food, not just the edge
- Joints of poultry can be moved easily
- Pork or poultry shows no signs of blood
- Fish is opaque and can be sliced easily with a fork

Browning dish

When using a browning dish or self-heating container, always place a heat-resistant insulator such as a porcelain plate under it to prevent damage to the turntable and rotating ring.

Microwave safe plastic wrap

When cooking food with high fat content, do not allow the plastic wrap come into contact with food as it may melt

Microwave safe plastic cookware

Some microwave safe plastic cookware might not be suitable for cooking foods with high fat and sugar content. Also, the preheating time specified in the dish instruction manual must not be exceeded.

MAINTENANCE

SERVICING

Please check the following before calling for services.

1. Place one cup of water (approx.150ml) in a glass measure in the oven and close the door securely. Oven lamp should go off if the door is closed properly. Let the oven work for 1 min.
2. Does the oven lamp light?
3. Does the cooling fan work?
(Put your hand over the rear ventilation openings.)
4. Does the turntable rotate?
(The turntable can rotate clockwise or counter clockwise. This is quite normal.)
5. Is the water inside the oven hot after 1 minute?

If “NO” is the answer to any of the above questions, please check your wall socket and the fuse in your meter box.

If both the wall socket and the fuse are functioning properly, CONTACT YOUR NEAREST SERVICE CENTER APPROVED.

SERVICING SAFEGUARDS

Caution: MICROWAVE RADIATION

1. **Warning:** There is microwave radiation and high voltage in the microwave. Except for maintenance technicians, it is strictly forbidden to dismantle it by yourself to avoid harm to the human body. Do not expose to radiation from microwave generators or other conducted microwave energy components!

Warning: When the microwave oven is running, the surface temperature will be very high!

2. During servicing below listed parts are liable to be removed and give access to potentials above 250V to earth.

- Magnetron
- High voltage transformer
- High voltage capacitor
- High voltage diode

3. The following conditions may cause undue microwave exposure during servicing.

- Improper fitting of magnetron;
- Improper matching of door interlock, door hinge and door;
- Improper fitting of switch support;
- Door, door seal or enclosure has been damaged.

Correct Disposal of this product



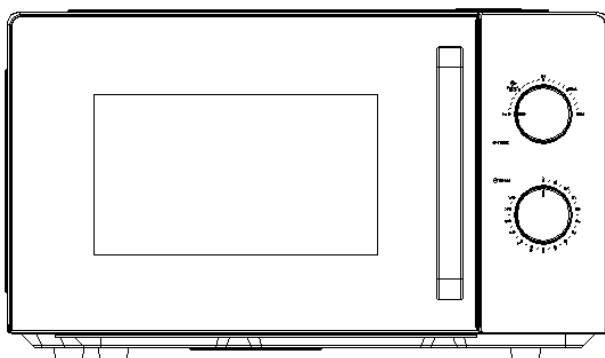
This appliance is labelled in accordance with European Directive 2012/19/EU on Waste Electrical and Electronic Equipment Regulations 2013 regarding electric and electronic appliances (WEEE). The WEEE contain both polluting substances (that can have a negative effect on the environment) and base elements (that can be reused). It is important that the WEEE undergo specific treatments to correctly remove and dispose of the pollutants and recover all the materials. Individuals can play an important role in ensuring that the WEEE do not become an environmental problem; it is essential to follow a few basic rules:

- the WEEE should not be treated as domestic waste;
- the WEEE should be taken to dedicated collection areas managed by the town council or a registered company.

In many countries, domestic collections may be available for large WEEEs. When you buy a new appliance, the old one can be returned to the vendor who must accept it free of charge as a one-off, as long as the appliance is of an equivalent type and has the same functions as the purchased appliance.

CANDY

HORNO DE MICROONDAS MANUAL DE INSTRUCCIONES



CMW20SMWLI



PAP

**INSTRUCCIONES DE SEGURIDAD IMPORTANTES
LEER CON ATENCIÓN Y GUARDAR PARA FUTURAS CONSULTAS**

Solo uso doméstico

GUARDE ESTAS INSTRUCCIONES

MEDIDAS DE SEGURIDAD IMPORTANTES

ADVERTENCIA: Si la puerta o las juntas de la puerta están dañadas, no debe utilizarse el horno hasta que un técnico cualificado lo haya reparado.

ADVERTENCIA: Es peligroso dejar en manos de personas no cualificadas cualquier tarea de mantenimiento o reparación que implique la retirada de una cubierta que proteja de la exposición a la energía de microondas.

ADVERTENCIA: No se deben calentar líquidos ni otros alimentos en recipientes cerrados, ya que estos podrían explotar.

1. Utilice únicamente utensilios aptos para su uso en hornos de microondas.
2. No se permite el uso de recipientes metálicos durante la cocción por microondas de alimentos y bebidas.
3. Cuando caliente alimentos en recipientes de plástico o papel, vigile el horno, ya que dichos alimentos podrían prender.
4. El horno de microondas está diseñado para calentar alimentos y bebidas. El secado de alimentos o ropa y el calentamiento de almohadillas térmicas, pantuflas, esponjas, paños húmedos y similares pueden provocar lesiones o incendios.
5. Si se observa humo, apague o desenchufe el electrodoméstico y mantenga la puerta cerrada para sofocar las llamas, de haberlas. El calentamiento de bebidas mediante microondas puede provocar una ebullición eruptiva demorada; por lo tanto, debe tener cuidado al manipular el recipiente.

6. Antes de consumir el contenido de los biberones y de los tarros de comida para bebés, hay que removerlos o agitarlos y comprobar su temperatura, para evitar quemaduras.
7. Los huevos con cáscara y los huevos duros enteros no deben calentarse en los hornos de microondas, ya que pueden explotar, incluso una vez finalizado el proceso de calentamiento.
8. No mantener el horno en buenas condiciones de limpieza podría provocar un deterioro de la superficie que podría afectar negativamente a la vida útil del electrodoméstico y posiblemente provocar una situación de peligro.

El horno de microondas está diseñado para un uso independiente o empotrado en un armario.

9. El electrodoméstico no debe instalarse encerrado en un armario.
10. Debe tenerse cuidado de no sacar de su sitio el plato giratorio al retirar recipientes del electrodoméstico.
11. El electrodoméstico no debe limpiarse con un limpiador a vapor.

Advertencia: Cuando el horno funcione en el modo combinado, los niños solo deben usarlo bajo supervisión de un adulto debido a las temperaturas generadas.



PRECAUCIÓN: SUPERFICIE CALIENTE

12. Si el cable de alimentación está dañado, deje su sustitución en manos del fabricante, su servicio técnico o cualquier otro profesional cualificado para evitar riesgos.
13. Este electrodoméstico puede ser utilizado por niños a partir de 8 años y por personas con capacidades físicas, sensoriales o mentales reducidas, o sin experiencia o conocimientos previos, siempre

y cuando lo hagan bajo supervisión, hayan recibido las instrucciones necesarias para un uso seguro y comprendan los riesgos que esto implica.

14. Los niños no deben jugar con este electrodoméstico.
15. Las operaciones de limpieza y mantenimiento no deben dejarse en manos de niños sin supervisión.
16. Electrodoméstico del grupo 2, clase B

Equipos ISM (industriales, médicos y científicos) del Grupo 2: el grupo 2 contiene todos los equipos ISM en los que la energía de radiofrecuencia se genera intencionalmente y/o se utiliza en forma de radiación electromagnética para el tratamiento del material, así como los equipos de EDM (mecanizado por electroerosión) y de soldadura por arco.

Los equipos de clase B son equipos adecuados para su uso doméstico y en establecimientos conectados directamente a una red de alimentación eléctrica de baja tensión de uso doméstico.

INSTALACIÓN

1. Retire el embalaje del horno de microondas y compruebe cuidadosamente si el electrodoméstico presenta daños. Por ejemplo, Si el cuerpo del horno muestra signos de impactos y de haber estado sometido a altas presiones.

Si la puerta del horno está plana y el interruptor presenta un tacto suave y flexible.

Si la malla metálica de aislamiento de la puerta del horno está doblada o deformada.

Si el cable de alimentación está suelto.

Si observa cualquiera de las circunstancias anteriores, póngase inmediatamente en contacto con su distribuidor o con nuestro departamento de mantenimiento.

2. El horno de microondas debe colocarse plano en un entorno ventilado, seco, no corrosivo y alejado de altas temperaturas y de vapores.

3. No coloque objetos encima del horno. Para tener suficiente espacio de circulación de aire, el producto debe colocarse a una altura mínima de 85 cm con respecto del suelo. La distancia entre los laterales del horno de microondas y la pared no debe ser inferior a 5 cm, la distancia entre la parte posterior del horno y la pared no debe ser inferior a 10 cm y la distancia a la parte superior del armario no debe ser inferior a 20 cm.

4. El horno de microondas debe situarse lejos de televisores, aparatos de radio o antenas (generalmente a un mínimo de 5 m), ya que de lo contrario causará interferencias.

5. El horno de microondas debe estar colocado en un lugar que facilite la conexión del cable de alimentación y garantice una buena conexión a tierra. En caso de fugas, se puede formar un bucle de tierra.

El bucle de corriente evita las descargas eléctricas.

6. Asegúrese de usar el horno de microondas con la puerta cerrada.

7. No instale el microondas encerrado en un armario.

8. Al utilizar el horno de microondas por primera vez, dado que suelen quedar residuos de fabricación o grasa en la cavidad del horno o en el elemento de calentamiento, es posible que se note cierto olor e incluso humo blanco durante el calentamiento. Este es un fenómeno normal que desaparecerá a los pocos usos. Tras el primer uso esto no volverá a suceder. Procure dejar las puertas y ventanas abiertas para ventilar bien la estancia.

LIMPIEZA

CUIDADO DEL HORNO DE MICROONDAS



PRECAUCIÓN

El horno debe limpiarse regularmente y eliminar cualquier resto de alimento.



ADVERTENCIA

1. Antes de limpiar el electrodoméstico, retire el cable de alimentación de la toma de corriente de la pared. No sumerja el electrodoméstico en agua u otros líquidos durante la limpieza.

2. No mantener el horno en buenas condiciones de limpieza podría provocar un deterioro de la superficie que podría afectar negativamente a la vida útil del electrodoméstico y posiblemente provocar una situación de peligro.

3. Nunca utilice detergentes agresivos, gasolina, polvo abrasivo o cepillos metálicos para limpiar cualquiera de las partes del electrodoméstico.

4. No retire la cubierta de la guía de ondas

5. Cuando el horno de microondas se lleve utilizando durante un periodo prolongado, es posible que desprenda algunos olores extraños. Puede eliminarlos mediante cualquiera de estos tres métodos:

a. Coloque varias rodajas de limón en una taza y a continuación caliente a alta potencia durante 2-3 minutos.

b. Coloque una taza de té rojo en el horno; a continuación, caliente a alta potencia.

c. Ponga un poco de cáscara de naranja en el horno y, a continuación, caliente a alta potencia durante 1 minuto.

6. ADVERTENCIA: Los niños solo deben usar el horno sin supervisión cuando hayan recibido las instrucciones adecuadas para que puedan utilizar el horno de una manera segura y comprendan los peligros de un uso inadecuado.

CONSEJOS PARA LA LIMPIEZA

Detalles para la limpieza de juntas de puerta, cavidad y piezas adyacentes:

Exterior:

Limpie la carcasa con un paño suave humedecido

Puerta:

Limpie la puerta y la ventana con un paño suave humedecido

Limpie las juntas de la puerta y las partes adyacentes para eliminar cualquier derrame o salpicaduras

Limpie el panel de control con un paño suave humedecido

Paredes interiores:

Limpie la cavidad con un paño suave humedecido

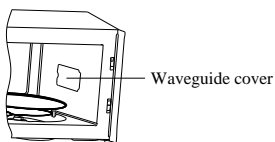
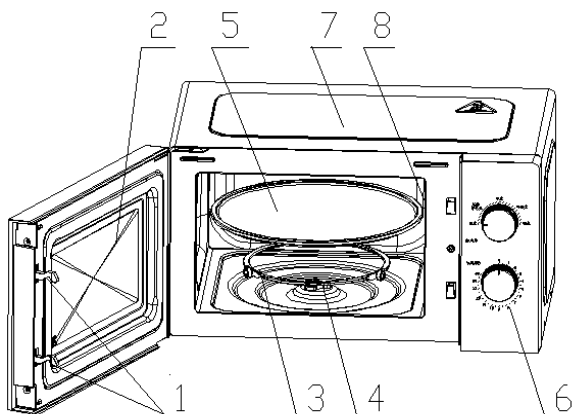
Limpie la cubierta de la guía de ondas para eliminar cualquier salpicadura de alimento

Plataforma giratoria/anillo de rotación/eje de rotación:

Lavar con agua y un jabón suave

Enjuagar con agua limpia y dejar secar bien

INSTRUCCIONES DEL PRODUCTO



1) Cierre de la puerta

La puerta del horno de microondas debe estar bien cerrada para que el horno funcione

2) Ventana de visualización

Permite al usuario ver el estado de la cocción

3) Anillo giratorio

La plataforma giratoria de vidrio se asienta en sus ruedas, soporta el plato giratorio y ayuda a equilibrarlo durante la rotación

4) Eje de rotación

La plataforma giratoria de vidrio se asienta en el eje; el motor situado debajo la hace girar

5) Plataforma giratoria

Los alimentos se depositan en la plataforma giratoria, su rotación durante el funcionamiento ayuda a cocinarlos de manera uniforme



PRECAUCIÓN

- Coloque el anillo giratorio en primer lugar
- Coloque el plato giratorio en el eje de rotación y asegúrese de que está correctamente engranado

6) Panel de control

Ver detalles más abajo (el panel de control está sujeto a cambios sin previo aviso)

7) Carcasa exterior

Utilizada para recubrir y proteger las piezas estructurales internas y los componentes eléctricos de la máquina

8) Cubierta de la guía de ondas

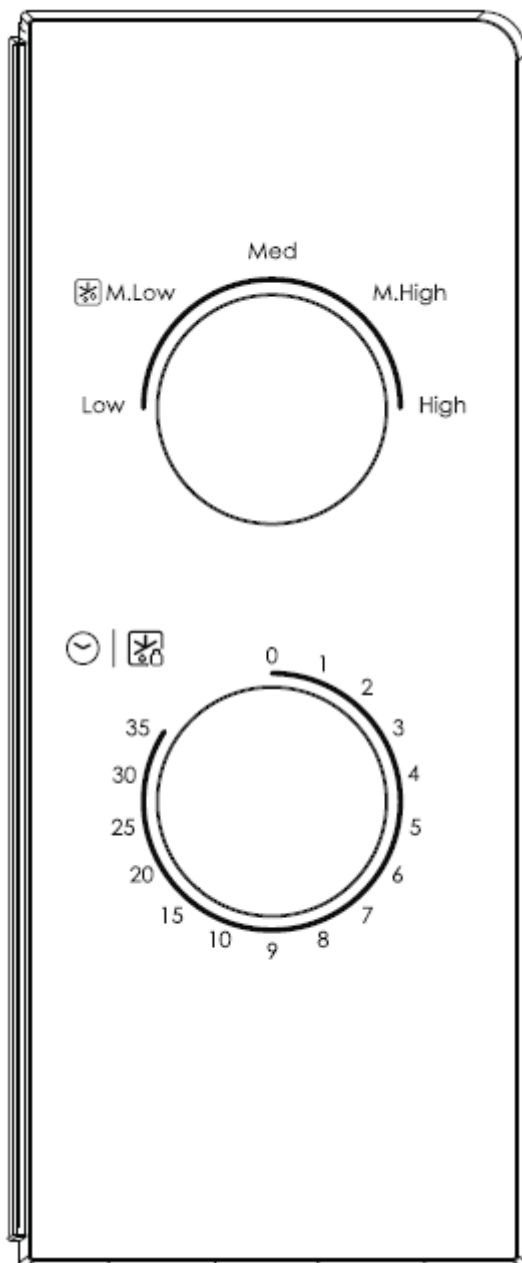
Se encuentra dentro del horno de microondas, cerca de la pared del panel de control.



ADVERTENCIA

Nunca retire la cubierta de la guía de ondas

FUNCIONAMIENTO DEL PANEL DE CONTROL



1. AJUSTE DEL TEMPORIZADOR

El ajuste máximo es de 35 minutos; se emite un tono de aviso al final, y el mando vuelve a la posición «0».

2. FUNCIÓN MICROONDAS

Hay cinco posiciones de potencia:

High (Alta)	100 % de potencia	700 W	(Cocción rápida)
M.High (medio alta)	80 % de potencia	550 W	(Cocción normal)
Med. (mediana)	55 % de potencia	390 W	(Cocción lenta)
M.Low (medio baja)	30 % de potencia	200 W	(Descongelar alimentos)
Low (baja)	17 % de potencia	120 W	(Mantener caliente)

A continuación le indicamos los tiempos aconsejados para la descongelación de algunos alimentos:

	Peso	Tiempo de descongelación
Carne	0,1~1,0 kg	1:30~26:00
Aves de corral	0,2~1,0 kg	2:30~22:00
Mariscos	0,1~0,9 kg	1:30~14:00

FUNCIONAMIENTO

1) Conectar el cable

- Antes de conectar el cable, asegúrese de que el temporizador esté en posición «0».
- No bloquee la ventilación.

2) Coloque los alimentos en la plataforma giratoria de cristal y cierre la puerta

- Los alimentos deben estar depositados en un recipiente

3) Seleccione el nivel de potencia deseado

4) Ajuste el temporizador

Si el tiempo deseado es inferior a 10 minutos, gire el mando de potencia una posición superior a los 10 minutos y hágalo retroceder para ajustar el tiempo deseado.

5) Una vez ajustado el tiempo deseado, la cocción comienza. Si se necesita hacer una pausa a media cocción, basta con abrir la puerta en cualquier momento y cerrarla para reanudar el funcionamiento.

6) Cuando el tiempo se agota y la cocción finaliza, el horno de microondas emite una señal acústica y la luz del interior se apaga automáticamente.

Si retira los alimentos antes de que el tiempo programado se agote, asegúrese de volver a ajustar el temporizador en la posición «0» para evitar que el horno de microondas funcione vacío.

GUÍA DE UTENSILIOS

Dependiendo del método de cocción, es necesario elegir un recipiente seguro y adecuado. La elección de un recipiente no adecuado no solo afectará a la cocción, sino que también causará daños en el recipiente o el horno de microondas. Consulte el uso en la tabla siguiente:

Material del recipiente	Microondas	Notas
Cerámica resistente al calor	Sí	Nunca utilice cerámicas decoradas con cantos metálicos o vidriados
Plástico resistente al calor	Sí	No se puede utilizar para la cocción por microondas prolongada
Vidrio resistente al calor	Sí	
Parrilla	No	
Película de plástico	Sí	No debe usarse cuando se cocine carne o chuletas, ya que el exceso de temperatura puede dañar la película

CONSEJOS DE COCCIÓN

Los siguientes factores pueden afectar al resultado de la cocción:

Disposición de los alimentos

Coloque las zonas más gruesas hacia el exterior del plato y la parte más delgada hacia el centro, y extienda los alimentos de forma uniforme. No superponga capas de alimentos, si es posible.

Duración del tiempo de cocción

Comience la cocción con un ajuste de tiempo corto, examine los alimentos una vez el tiempo se haya agotado y prolongue la cocción según sea necesario. La cocción excesiva puede provocar humo y quemaduras.

Cocción uniforme de los alimentos

Los alimentos como el pollo, las hamburguesas o los bistecs se deben voltear una vez durante la cocción.

Dependiendo del tipo de alimento, si procede, revuelva de afuera al centro del plato una o dos veces durante la cocción.

Deje reposar

Una vez finalizado el tiempo de cocción, deje los alimentos reposar en el horno durante un tiempo adecuado, lo que permitirá completar su ciclo de cocción y que se enfríen de forma gradual.

Si los alimentos están cocinados

El color y la dureza de los alimentos ayudan a determinar si están cocinados, por ejemplo:

- Vapor saliendo de los alimentos por todas partes, no solo por el borde
- Las articulaciones de las aves de corral se pueden mover fácilmente
- La carne de cerdo o de ave de corral no muestra signos de sangre
- El pescado es opaco y se puede cortar fácilmente con un tenedor

Plato dorador

Cuando utilice un plato dorador o un recipiente de autocalentamiento, coloque siempre debajo un aislante resistente al calor, por ejemplo una placa de porcelana, para evitar dañar la plataforma giratoria y el anillo giratorio.

Envoltura de plástico apta para microondas

Cuando cocine alimentos con alto contenido de grasa, no permita que el film de plástico entre en contacto con los alimentos, ya que se puede derretir

Utensilios de cocina de plástico apto para microondas

Algunos utensilios de cocina de plástico apto para microondas pueden no ser adecuados para cocinar alimentos con alto contenido de grasa y azúcar. Además, no debe superarse el tiempo de precalentamiento especificado en la receta del plato.

MANTENIMIENTO

REPARACIÓN

Por favor, compruebe lo siguiente antes de llamar al servicio técnico.

1. Coloque en el horno una taza de agua (aprox. 150 ml) vertida en un vaso de medida de vidrio y cierre la puerta de forma segura. La lámpara del horno debe apagarse si la puerta está cerrada correctamente. Ponga el horno a funcionar durante 1 min.

2. ¿La lámpara del horno se enciende?

3. ¿Funciona el ventilador de refrigeración?
(Ponga la mano sobre las aberturas de ventilación traseras).

4. ¿La plataforma giratoria gira?
(La plataforma giratoria puede girar en sentido horario o antihorario. Eso es normal).

5. ¿El agua en el interior del horno está caliente al cabo de 1 minuto?

Si la respuesta a alguna de las preguntas anteriores es «NO», por favor compruebe su toma de corriente de pared y el fusible en su contador de luz.

Si tanto el enchufe de la pared como el fusible funcionan correctamente, **PÓNGASE EN CONTACTO CON EL CENTRO DE ASISTENCIA TÉCNICA HOMOLOGADO MÁS CERCANO.**

MEDIDAS DE SEGURIDAD EN EL MANTENIMIENTO

Precaución: RADIACIÓN DE MICROONDAS

1. **Advertencia:** Presencia de radiación de microondas y alta tensión en el microondas. Está estrictamente prohibido desmontar el horno por su cuenta para evitar lesiones, con la excepción de los técnicos de mantenimiento. ¡No se exponga a la radiación de generadores de microondas u otros componentes de energía de microondas dirigidas!

Advertencia: Cuando el horno de microondas esté en funcionamiento, la temperatura de la superficie será muy alta.

2. Durante el mantenimiento, las piezas enumeradas a continuación son susceptibles de retirarse y dar acceso a potenciales por encima de 250 V a tierra.

- Magnetrón
- Transformador de alto voltaje
- Condensador de alto voltaje
- Diodo de alto voltaje

3. Las siguientes circunstancias pueden causar una exposición indebida a las microondas durante el mantenimiento.

- Ajuste incorrecto del magnetrón;
- Ajuste incorrecto del enclavamiento de la puerta, la bisagra de la puerta y la puerta;
- Ajuste incorrecto del soporte del interruptor;
- Daños en la puerta, el sello de la puerta o la carcasa.

Eliminación correcta de este producto



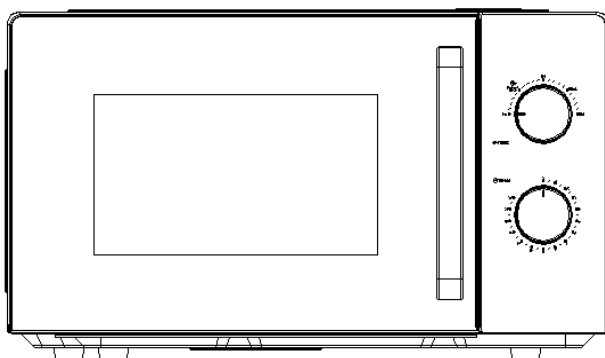
Este electrodoméstico está etiquetado de acuerdo con la Directiva europea 2012/19/UE sobre Residuos de electrodomésticos Eléctricos y Electrónicos 2013 sobre electrodomésticos eléctricos y electrónicos (RAEE). Los aparatos eléctricos y electrónicos contienen tanto sustancias contaminantes (que pueden tener un efecto negativo en el medio ambiente) como elementos básicos (que pueden reutilizarse). Es importante que los aparatos eléctricos y electrónicos se sometan a tratamientos específicos para desechar y eliminar correctamente los contaminantes y recuperar todos los materiales reutilizables. Las personas desempeñan un papel clave a la hora de garantizar que los aparatos eléctricos y electrónicos no se conviertan en un problema medioambiental. Para ello, es esencial seguir algunas normas básicas:

- los aparatos eléctricos y electrónicos no deben recibir el mismo tratamiento que los residuos domésticos;
- los aparatos eléctricos y electrónicos deben llevarse a áreas de recogida específicas gestionadas por el ayuntamiento o por una empresa homologada.

En muchos países puede haber servicios de recogida a domicilio para aparatos eléctricos y electrónicos de gran tamaño. Al comprar un electrodoméstico nuevo, el antiguo puede devolverse al proveedor (que debe hacerse cargo de él de forma gratuita) siempre y cuando el electrodoméstico antiguo tenga características similares y sea de un tipo equivalente al electrodoméstico adquirido.

CANDY

FOUR À MICRO-ONDES MANUEL D'INSTRUCTIONS



CMW20SMWLI



PAP

**CONSIGNES DE SÉCURITÉ IMPORTANTES
LISEZ ATTENTIVEMENT ET CONSERVEZ CE MANUEL POUR
POUVOIR LE CONSULTER EN CAS DE BESOIN**

Usage domestique uniquement

CONSERVEZ CES INSTRUCTIONS

CONSIGNES DE SÉCURITÉ IMPORTANTES

AVERTISSEMENT : si la porte ou les joints de porte sont endommagés, le four ne doit pas être utilisé tant qu'il n'a pas été réparé par une personne compétente.

AVERTISSEMENT : il est dangereux pour toute personne autre qu'une personne compétente d'effectuer toute opération d'entretien ou de réparation impliquant l'enlèvement d'un couvercle qui protège contre l'exposition à l'énergie des micro-ondes. **AVERTISSEMENT** : les liquides et autres aliments ne doivent pas être chauffés dans des contenants scellés, car ils sont susceptibles d'exploser.

1. N'utilisez que des ustensiles adaptés à l'utilisation dans les fours à micro-ondes.
2. Les contenants métalliques pour aliments et boissons ne sont pas autorisés pendant la cuisson aux micro-ondes.
3. Lorsque vous chauffez des aliments dans des contenants en plastique ou en papier, gardez un œil sur le four en raison du risque d'inflammation.
4. Le four à micro-ondes est destiné au chauffage des aliments et des boissons. Le séchage d'aliments ou de vêtements et le chauffage de coussins chauffants, de chaussons, d'éponges, de chiffons humides ou similaires peuvent entraîner un risque de blessure, d'ignition ou d'incendie.
5. S'il y a de la fumée, éteindre ou débrancher l'appareil et garder la porte fermée afin d'étouffer toute flamme de chauffage de boissons par

micro-ondes peut entraîner le débordement d'une ébullition à retardement, c'est pourquoi il faut faire attention lors de la manipulation du contenant.

6. Le contenu des biberons et des pots d'aliments pour bébés doit être mélangé ou agité et la température vérifiée avant consommation, afin d'éviter les brûlures.
7. Les œufs dans leur coquille et les œufs durs entiers ne doivent pas être chauffés dans un four à micro-ondes, car ils peuvent exploser, même après la fin du chauffage aux micro-ondes.
8. Le fait de ne pas conserver le four propre peut entraîner une détérioration de la surface qui pourrait nuire à la durée de vie de l'appareil et éventuellement entraîner une situation dangereuse.
Le four à micro-ondes est destiné à être utilisé en pose libre ou encastré.
9. L'appareil ne doit pas être installé dans une armoire
10. Veillez à ne pas déplacer le plateau tournant lorsque vous retirez les contenants de l'appareil.
11. L'appareil ne doit pas être nettoyé à l'aide d'un nettoyeur à vapeur.

Avertissement : lorsque l'appareil est utilisé en mode combiné, les enfants doivent utiliser le four uniquement sous la surveillance d'un adulte en raison des températures générées.



ATTENTION : SURFACE CHAUDE

12. Si le cordon d'alimentation est endommagé, faites-le remplacer par le fabricant, le service après-vente ou un électricien qualifié pour éviter tout risque d'accident.

13. Cet appareil peut être utilisé par des enfants à partir de 8 ans et par des personnes ayant des capacités physiques, sensorielles ou mentales réduites ou un manque d'expérience et de connaissances, s'ils sont sous surveillance ou si on leur a appris à utiliser l'appareil en toute sécurité et s'ils comprennent les risques courus.
14. Les enfants ne doivent pas jouer avec l'appareil.
15. Le nettoyage et l'entretien ne doivent pas être effectués par des enfants sans surveillance.
16. Appareil du groupe 2 classe B

Équipements du groupe 2 ISM : le groupe 2 comprend tous les équipements ISM dans lesquels l'énergie des radiofréquences est générée intentionnellement et/ou utilisée sous forme de rayonnement électromagnétique pour le traitement des matériaux, EDM et du matériel de soudage à l'arc.

Les équipements de classe B sont des équipements adaptés à une utilisation dans des établissements domestiques et dans des établissements directement raccordés à un réseau d'alimentation à basse tension qui alimente les bâtiments utilisés à des fins domestiques.

INSTALLATION

1. Retirez l'emballage du four à micro-ondes et vérifiez l'absence de dommages sur le micro-ondes. Par exemple :

Si le corps du four a un impact et présente des signes de forte pression.

Si la porte du four est plate et l'interrupteur est lisse et flexible.

Si le treillis isolant métallique de la porte du four est plié ou déformé.

Si le cordon d'alimentation est desserré.

Si vous constatez l'un des éléments ci-dessus, veuillez contacter immédiatement votre revendeur ou notre service d'entretien spécial.

2. Le four à micro-ondes doit être placé à plat dans un environnement ventilé, sec et non corrosif, à l'abri des hautes températures et vapeurs.

3. Ne placez aucun objet sur le dessus du four. Afin d'avoir suffisamment d'espace de circulation d'air, le produit doit être placé à 85 cm au-dessus du sol. La distance entre les côtés du four à micro-ondes et le mur ne doit pas être inférieure à 5 cm, la distance entre l'arrière du four et le mur ne doit pas être inférieure à 10 cm et la distance avec l'armoire murale supérieure ne doit pas être inférieure à 20 cm.

4. Le four à micro-ondes doit être éloigné de la télévision, de la radio et de l'antenne (généralement à plus de 5 m), sinon il peut provoquer des interférences.

5. Le four à micro-ondes doit être placé à l'endroit où le câble d'alimentation est pratique à brancher, et la mise à la terre est garantie d'être bonne. En cas de fuite, le fil de mise à la terre peut être moulé.

La boucle de courant évite les chocs électriques.

6. Assurez-vous de faire fonctionner le four à micro-ondes lorsque la porte est fermée.

7. Ne placez pas le four à micro-ondes dans une armoire.

8. Lorsque vous utilisez le four à micro-ondes pour la première fois, étant donné qu'il peut y avoir des résidus ou de la graisse issus du processus de fabrication dans la cavité du four ou sur le tuyau de chauffage, il peut y avoir des odeurs et même de la fumée blanche pendant le chauffage. C'est un phénomène normal qui a été utilisé plusieurs fois. Après cela, cela ne se produira pas, faites attention à ouvrir les portes et les fenêtres pour maintenir une bonne ventilation.

NETTOYAGE

ENTRETIEN DU FOUR À MICRO-ONDES



ATTENTION

Le four doit être nettoyé régulièrement et tout dépôt de nourriture doit être enlevé.



AVERTISSEMENT

1. Retirez le cordon d'alimentation de la prise murale avant de le nettoyer. Ne plongez pas l'appareil dans l'eau ou dans d'autres liquides lors du nettoyage.
2. Le fait de ne pas conserver le four propre peut entraîner une détérioration de la surface qui pourrait nuire à la durée de vie de l'appareil et éventuellement entraîner une situation dangereuse.
3. N'utilisez jamais de détergent dur, d'essence, de poudre abrasive ou de brosse métallique pour nettoyer les pièces de l'appareil
4. Ne retirez pas le couvercle du guide d'ondes
5. Lorsque le four à micro-ondes a été utilisé pendant une longue période, il peut y avoir des odeurs étranges dans le four. Voici 3 méthodes pour se débarrasser de ces odeurs :
 - a. Déposez plusieurs tranches de citron dans une tasse, puis chauffez à puissance élevée pendant 2-3 min.

b. Placez une tasse de thé rouge dans le four, puis chauffez à haute puissance.

c. Mettez un peu d'écorce d'orange au four, puis faites chauffer à haute puissance le micro-ondes pendant 1 minute.

6. AVERTISSEMENT : ne laissez les enfants utiliser le four sans surveillance que lorsque des instructions adéquates ont été données afin que les enfants puissent utiliser le four de manière sûre et qu'ils comprennent les risques d'une utilisation inappropriée.

CONSEILS DE NETTOYAGE

Détails pour le nettoyage des joints de porte, de la cavité et des pièces adjacentes :

Extérieur :

Essuyez le boîtier à l'aide d'un chiffon doux humide

Porte :

À l'aide d'un chiffon doux humide, nettoyez la porte et la fenêtre

Essuyez les joints de la porte et les pièces adjacentes pour éliminer tout débordement ou éclaboussure

Essuyez le panneau de commande à l'aide d'un chiffon doux légèrement humide

Parois intérieures :

Nettoyez la cavité à l'aide d'un chiffon doux humide

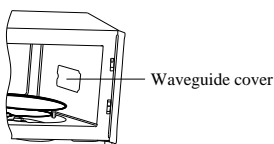
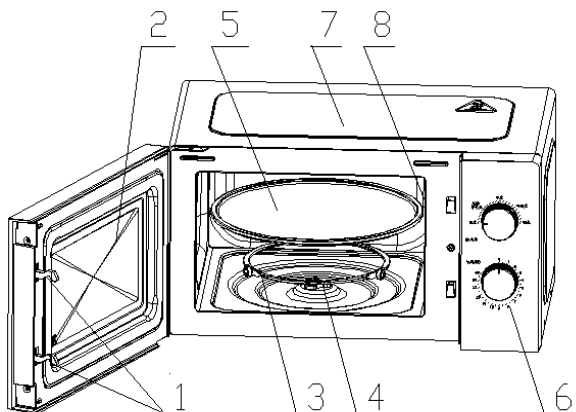
Nettoyez le couvercle du guide d'ondes pour éliminer les éclaboussures d'aliments

Plateau tournant / anneau de rotation / axe de rotation :

Lavez à l'eau savonneuse douce

Rincez à l'eau claire et laissez bien sécher

INSTRUCTIONS SUR LE PRODUIT



1) Loquet de la porte

La porte du four à micro-ondes doit être correctement fermée pour fonctionner

2) Fenêtre de visualisation

Permet à l'utilisateur de voir l'état de cuisson

3) Anneau de rotation

Le plateau tournant en verre repose sur ses roues; il supporte le plateau tournant et l'aide à s'équilibrer lors de la rotation

4) Axe de rotation

Le plateau tournant en verre repose sur l'axe ; le moteur en dessous entraîne la rotation du plateau

5) Plateau tournant

Les aliments sont placés sur le plateau tournant, sa rotation pendant le fonctionnement permet une cuisson uniforme des aliments



ATTENTION

- Placez d'abord l'anneau de rotation

- Placez le plateau tournant sur l'axe de rotation et assurez-vous qu'il est correctement aligné

6) Panneau de commande

Voir ci-dessous en détail (le panneau de commande peut être modifié sans préavis)

7) Couvercle extérieur

Utilisé pour l'emballage et la protection des pièces internes de structure et des composants électriques de l'ensemble de la machine

8) Couvercle du guide d'ondes

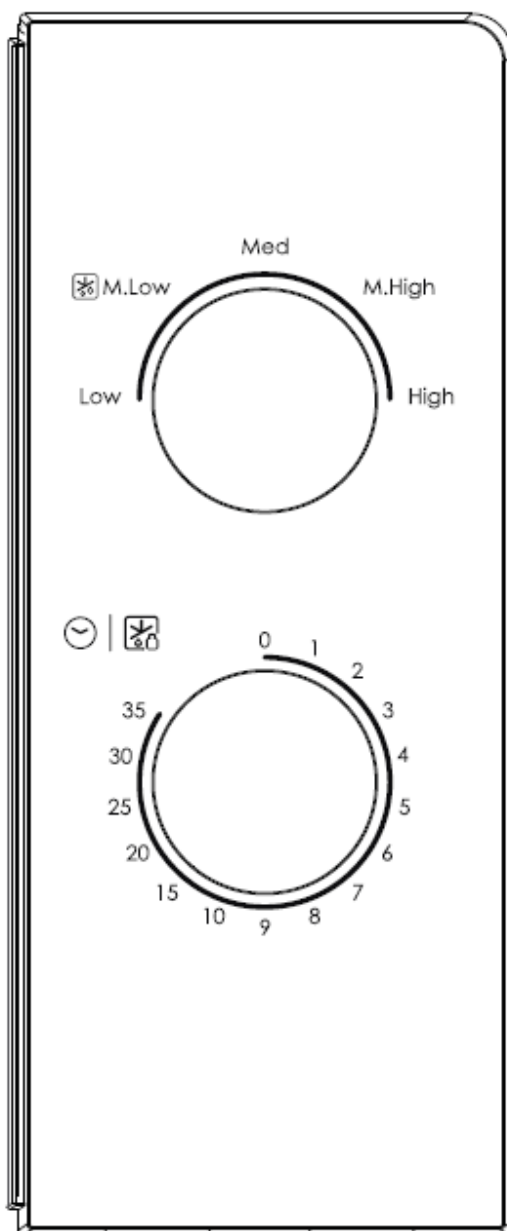
Il se trouve à l'intérieur du four à micro-ondes, à côté de la paroi du panneau de commande.



AVERTISSEMENT

Ne retirez jamais le couvercle du guide d'ondes

FONCTIONNEMENT DU PANNEAU DE COMMANDE



1. RÉGLAGE DE L'HORLOGE

Le réglage maximum est de 35 minutes, il y a une sonnerie à la fin, et le bouton revient en position « 0 ».

2. FONCTION MICRO-ONDES

Il y a cinq puissances de feu :

HIGH (ÉLEVÉE)	puissance de sortie 100 %	700 W	(Cuisson rapide)
M.High (M. Élevée)	puissance de sortie 80 %	550 W	(Cuisson normale)
Med (Moyenne)	puissance de sortie 55 %	390 W	(Cuisson lente)
M.Low (M. Basse)	puissance de sortie 30 %	200 W	(Décongélation d'aliments)
LOW (BASSE)	puissance de sortie 17 %	120 W	(Garder au chaud)

Vous trouverez ci-dessous quelques conseils sur le temps de décongélation des aliments :

	Poids	Durée de décongélation
Viande	0,1~1,0 kg	1:30~26:00
Volaille	0,2~1,0 kg	2:30~22:00
Fruits de mer	0,1~0,9 kg	1:30~14:00

FONCTIONNEMENT

1) Branchez le cordon

- Avant de brancher le cordon, assurez-vous que la minuterie est en position « 0 ».
- Ne bloquez pas la ventilation.

2) Placez les aliments sur le plateau tournant en verre et fermez la porte

- Les aliments doivent être contenus dans un ustensile

3) Sélectionnez le niveau de puissance souhaité

4) Réglez la minuterie

Si la durée souhaitée est inférieure à 10 minutes, tournez le bouton d'alimentation en position 10 minutes puis revenez à la durée souhaitée.

5) Une fois que le temps souhaité est défini, la cuisson commence. Si vous avez besoin d'une pause entre les deux, il suffit d'ouvrir la porte à tout moment et de la fermer pour reprendre l'opération.

6) Lorsqu'il s'arrête et que la cuisson se termine, le four à micro-ondes émet une sonnerie, la lampe intérieure s'éteindra également automatiquement.

Si les aliments sont retirés avant l'expiration du délai, assurez-vous de remettre la minuterie sur la position « 0 », ce qui évite que le four à micro-ondes ne fonctionne à vide.

GUIDE DES USTENSILES DE CUISINE

Selon le mode de cuisson, il est nécessaire de choisir un contenant sûr et adapté. S'il n'est pas approprié, il affectera non seulement l'effet de cuisson, mais il risque également d'endommager le plat ou le four à micro-ondes. Veuillez vous reporter au tableau ci-dessous pour l'utilisation :

Matériau du contenant	Micro-ondes	Remarques
Céramique résistante à la chaleur	Oui	N'utilisez jamais la céramique décorée d'un rebord métallique ou émaillé
Plastique résistant à la chaleur	Oui	Ne peut pas être utilisé lors d'une cuisson prolongée aux micro-ondes
Verre résistant à la chaleur	Oui	
Rack de gril	Non	
Film plastique	Oui	Il ne doit pas être utilisé lors de la cuisson de la viande ou des côtelettes car la surtempérature risque d'endommager le film

ASTUCES DE CUISSON

Les facteurs suivants peuvent avoir une incidence sur le résultat de cuisson :

Disposition des aliments

Placez les parties plus épaisses vers l'extérieur du plat, les parties les plus fines vers le centre et répartir uniformément. Ne pas faire chevaucher si possible.

Durée de cuisson

Commencez la cuisson par une courte durée, évaluez-la après le temps écoulé et prolongez-la en fonction du besoin réel. La surcuisson peut provoquer de la fumée et des brûlures.

Cuisson uniforme des aliments

Les aliments tels que le poulet, un hamburger ou un steak doivent être retournés une fois pendant la cuisson.

Selon le type d'aliment, le cas échéant, remuer de l'extérieur vers le centre du plat une ou deux fois pendant la cuisson

Laisser un temps de repos

Après la fin de la cuisson, laissez les aliments dans le four pendant une durée suffisante, pour leur permettre de terminer leur cycle de cuisson et de refroidir de manière progressive

Savoir si les aliments sont prêts

La couleur et la dureté des aliments aident à déterminer s'ils sont prêts, notamment :

- de la vapeur provient de toutes les parties des aliments, pas seulement les bords
- les articulations de la volaille peuvent être bougées facilement
- le porc ou la volaille ne présentent aucune trace de sang
- le poisson est opaque et se tranche facilement à l'aide d'une fourchette

Plat brunisseur

Lorsque vous utilisez un plat brunisseur ou un contenant auto-chauffant, placez toujours un isolant résistant à la chaleur, tel qu'une assiette en porcelaine, afin d'éviter d'endommager le plateau tournant et l'anneau de rotation.

Film plastique résistant aux micro-ondes

Lors de la cuisson d'aliments à teneur élevée en matières grasses, ne laissez pas le film plastique entrer en contact avec les aliments car il peut fondre

Ustensiles de cuisine en plastique résistant aux micro-ondes

Certains ustensiles en plastique allant au four à micro-ondes ne conviennent peut-être pas à la cuisson d'aliments riches en matières grasses et en sucre. En outre, le temps de préchauffage spécifié dans le mode d'emploi du plat ne doit pas être dépassé.

ENTRETIEN

ENTRETIEN

Veuillez vérifier ce qui suit avant d'appeler le service d'assistance.

1. Placez une tasse d'eau (150 ml environ) dans un verre de mesure dans le four et fermez bien la porte. La lampe du four s'éteint si la porte est correctement fermée. Faites fonctionner le four pendant 1 min.

2. La lampe du four s'allume-t-elle ?

3. Le ventilateur de refroidissement fonctionne-t-il ?
(Mettez votre main sur les ouvertures de ventilation à l'arrière.)

4. Le plateau tournant tourne-t-il ?
(Le plateau tournant peut tourner dans le sens horaire ou antihoraire. C'est tout à fait normal.)

5. L'eau à l'intérieur du four est-elle chaude au bout d'une minute ?

Si vous répondez « NON » à l'une des questions ci-dessus, veuillez vérifier votre prise murale et le fusible dans votre compteur d'électricité. Si la prise murale et le fusible fonctionnent correctement, **VEUILLEZ CONTACTER LE CENTRE D'ASSISTANCE APPROUVÉ LE PLUS PROCHE DE CHEZ VOUS.**

CONSIGNES DE SÉCURITÉ LORS DE L'ENTRETIEN

Attention : RAYONNEMENT À MICRO-ONDES

1. **Avertissement** : il y a un rayonnement à micro-ondes et une haute tension dans le four à micro-ondes. À l'exception des techniciens de maintenance, il est strictement interdit de le démonter par vous-même pour éviter tout dommage au corps humain. N'exposez pas au rayon-

nement des générateurs de micro-ondes ou d'autres composants d'énergie à micro-ondes !


Avertissement : lorsque le four à micro-ondes fonctionne, la température de la surface sera très élevée !

2. Lors de l'entretien, les pièces énumérées ci-dessous peuvent être retirées et donnent accès à des potentiels supérieurs à 250 V à la terre.

- Magnétron
- Transformateur haute tension
- Condensateur haute tension
- Diode haute tension

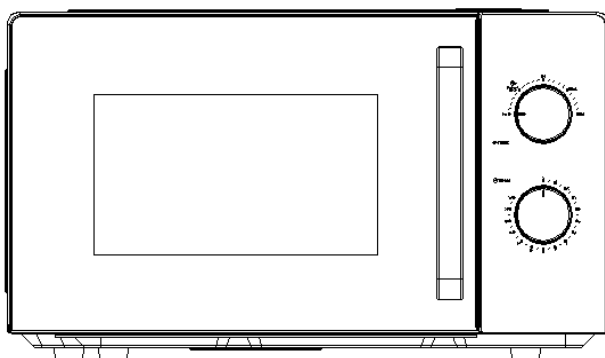
3. Les conditions suivantes peuvent provoquer une exposition excessive aux micro-ondes pendant l'entretien.

- Mauvais montage du magnétron
- Mauvaise adaptation du dispositif de verrouillage de la porte, de la charnière de porte et de la porte
- Mauvais montage du boîtier d'interrupteurs
- La porte, le joint de porte ou le boîtier ont été endommagés

Mise au rebut correcte de ce produit	
 <p>Les icônes à gauche illustrent les étapes de la mise au rebut : un poubelle barrée (interdiction de jeter dans les poubelles ménagères), un pictogramme d'une personne déposant un déchet dans un conteneur (collecte), et un pictogramme d'un appareil électronique dans un conteneur dédié (déchet électronique).</p>	<p>Cet appareil est étiqueté conformément à la Directive Européenne 2012/19/UE relative aux déchets d'équipements électriques et électroniques 2013 concernant les appareils électriques et électroniques (DEEE). Les DEEE contiennent à la fois des substances polluantes (pouvant avoir un effet négatif sur l'environnement) et des éléments de base (pouvant être réutilisés). Il est important que les DEEE fassent l'objet de traitements spécifiques pour enlever et mettre au rebut les polluants et récupérer tous les matériaux. Chaque personne peut jouer un rôle important en s'assurant que les DEEE ne deviennent pas un problème environnemental ; il est essentiel de suivre quelques règles fondamentales :</p> <ul style="list-style-type: none">- les DEEE ne doivent pas être traités comme des déchets ménagers ;- les DEEE doivent être amenés sur des sites de collecte spéciaux (déchetteries) gérés par la mairie ou une entreprise agréée. <p>Dans de nombreux pays, les collectes chez les particuliers peuvent être disponibles pour les grands DEEE. Lors de l'achat d'un nouvel appareil, l'ancien peut être retourné au vendeur qui doit l'accepter gratuitement sous forme d'échange, à condition que l'appareil soit d'un type équivalent et qu'il possède les mêmes fonctions que l'appareil acheté.</p>

CANDY

FORNO A MICROONDE MANUALE DI ISTRUZIONI



CMW20SMWLI



PAP

**ISTRUZIONI IMPORTANTI PER LA SICUREZZA
LEGGERE ATTENTAMENTE QUESTE ISTRUZIONI
E CONSERVARLE PER FUTURI RIFERIMENTI**

Solo per uso domestico

CONSERVARE QUESTE ISTRUZIONI

AVVERTENZE IMPORTANTI

AVVERTENZA: in caso di danni allo sportello o alle guarnizioni dello sportello, utilizzare il forno solo dopo che è stato riparato da personale qualificato.

AVVERTENZA: le operazioni di manutenzione e riparazione, che comportando la rimozione di una qualsiasi delle coperture possono essere pericolose se non effettuate da personale addestrato, in quando comportano l'esposizione all'energia prodotta dal forno a microonde.

AVVERTENZA: Non riscaldare liquidi o altri alimenti in contenitori chiusi poiché potrebbero esplodere.

1. Adoperare solo utensili da cucina idonei all'uso nei forni a microonde
2. Non è consentito utilizzare contenitori metallici per alimenti e bevande durante la cottura a microonde.
3. Quando si riscaldano alimenti contenuti in una vaschetta in plastica o carta, controllare frequentemente il forno perché i contenitori potrebbero incendiarsi
4. Il forno a microonde è progettato per riscaldare alimenti e bevande. L'asciugatura di alimenti o indumenti e il riscaldamento di cuscinetti scaldanti, pantofole, spugne, panni bagnati e simili può provocare lesioni o innescare incendi.
5. Se si nota la presenza di fumo, spegnere il forno o scollegarlo dall'alimentazione elettrica e chiudere lo sportello per impedire alle fiamme di propagarsi. Il riscaldamento di bevande nel forno a

microonde può provocare una violenta ebollizione ritardata, per cui manipolare il contenitore con cautela;

6. Per evitare ustioni, mescolare e agitare il contenuto di biberon e barattoli contenenti alimenti per neonati, e controllare la temperatura prima del consumo;
7. Non riscaldare nel microonde uova col guscio e uova sode intere perché potrebbero esplodere anche dopo la fine della cottura;
8. Se il forno non viene tenuto sempre pulito, le superfici potrebbero deteriorarsi, riducendo la durata dell'elettrodomestico e causando situazioni pericolose.

Il forno a microonde è progettato per essere utilizzato da libera installazione, da incasso o in un mobile.

9. Non collocare l'elettrodomestico in un mobile
10. Quando i contenitori vengono rimossi dall'elettrodomestico, non spostare il piatto girevole.
11. Non pulire l'apparecchio con elettrodomestici a vapore.

Avvertenza: in modalità combinata, l'uso del forno è consentito ai bambini solo sotto la supervisione di un adulto a causa delle alte temperature prodotte.



ATTENZIONE: SUPERFICIE CALDA

12. Se il cavo di alimentazione è danneggiato, deve essere sostituito dal fabbricante, da un tecnico dell'assistenza o da una persona con analoga qualifica per evitare rischi.
13. Questo elettrodomestico può essere utilizzato da bambini di almeno 8 anni, da persone con ridotte capacità fisiche, sensoriali o mentali e da persone inesperte solo sotto stretta sorveglianza o se hanno

appreso le modalità di utilizzo sicuro dell'elettrodomestico e sono consapevoli dei relativi pericoli.

14. Impedire ai bambini di giocare con l'elettrodomestico.
15. La pulizia e la manutenzione non devono essere effettuate da bambini non sorvegliati.
16. Elettrodomestico Gruppo 2 Classe B

Dispositivo ISM, Gruppo 2: il gruppo 2 comprende tutti i dispositivi ISM che producono direttamente energia in radiofrequenza e/o che vengono usati sotto forma di radiazioni elettromagnetiche per il trattamento di materiali, oltre a sistemi per elettroerosione e saldatura ad arco.

Le apparecchiature di Classe B sono apparecchiature adatte all'uso in ambienti domestici e strutture direttamente collegate alla rete di alimentazione in bassa tensione che alimenta gli edifici residenziali.

INSTALLAZIONE

1. Rimuovere l'imballaggio dal microonde e controllare attentamente che il microonde non sia danneggiato. Controllare ad esempio:

Se il corpo del forno ha subito un colpo e mostra segni di forte pressione.

Se lo sportello del forno è piatto e l'interruttore è liscio e flessibile.

Se la rete metallica di isolamento situata sullo sportello del forno è piegata o deformata.

Se il cavo di alimentazione è allentato.

Se si riscontra uno dei problemi sopra elencati, contattare immediatamente il rivenditore o il nostro apposito reparto di manutenzione.

2. Il forno a microonde deve essere posizionato in piano in un ambiente ventilato, asciutto, non corrosivo, al riparo da alte temperature e vapori.

3. Non appoggiare alcun oggetto sulla parte superiore del piano cottura.

Per avere uno spazio sufficiente per la circolazione dell'aria, il prodotto deve essere posizionato a 85 cm dal suolo. La distanza tra i lati del forno a microonde e la parete non deve essere inferiore a 5 cm, la distanza tra la parte posteriore del forno e il muro non deve essere inferiore a 10 cm e la distanza dal pensile superiore non deve essere inferiore a 20 cm.

4. Il forno a microonde deve essere collocato lontano da TV, radio e antenna (generalmente maggiore di 5 m), onde evitare che si verifichino interferenze.

5. Il forno a microonde deve essere collocato in un punto in cui il cavo di alimentazione sia facilmente collegabile e la messa a terra sia garantita.

In caso di dispersione, è possibile utilizzare il filo di messa a terra.

Il loop di corrente permette di evitare il rischio di scariche elettriche.

6. Assicurarsi di azionare il forno a microonde con lo sportello chiuso.

7. Non collocare il microonde all'interno di un mobile.

8. Quando si utilizza il forno a microonde per la prima volta, poiché nella cavità del forno o sul tubo di riscaldamento sono presenti residui o grassi del processo di produzione, spesso potrebbero formarsi strani odori e persino fumo bianco durante il riscaldamento. È un fenomeno normale che si verifica spesso ma che dopo qualche utilizzo dovrebbe scomparire. Tenere la porta e le finestre aperte per garantire una ventilazione ottimale.

PULIZIA

MANUTENZIONE DEL FORNO A MICROONDE



ATTENZIONE

È indispensabile pulire regolarmente il forno e rimuovere tutti i residui di alimenti.



AVVERTENZA

1. Rimuovere il cavo di alimentazione dalla presa a muro prima della pulizia. Non immergere l'elettrodomestico in acqua o altri liquidi durante la pulizia.
2. Se il forno non viene tenuto sempre pulito, le superfici potrebbero deteriorarsi, riducendo la durata dell'elettrodomestico e causando situazioni pericolose
3. Non adoperare mai detersivi aggressivi, benzina, polvere abrasiva o spazzole metalliche per pulire qualsiasi parte dell'elettrodomestico
4. Non rimuovere la copertura della guida d'onda
5. Dopo un utilizzo prolungato del forno a microonde, al suo interno potrebbero formarsi odori sgradevoli. I seguenti 3 metodi permettono di eliminarli:
 - a. Mettere alcune fette di limone in una tazza, quindi scaldarle ad alta potenza per 2-3 min.
 - b. Mettere una tazza di tè rosso nel forno, quindi scaldarla ad alta potenza.

c. Mettere della scorza d'arancia in forno, quindi scaldarla ad alta potenza per 1 minuto.

6. AVVERTENZA: non permettere ai bambini di usare il forno senza la supervisione di un adulto se non sono state fornite loro istruzioni adeguate in modo che sappiano come usarlo in modo sicuro e siano consapevoli dei possibili rischi risultanti da un uso improprio.

SUGGERIMENTI PER LA PULIZIA

Dettagli per la pulizia delle guarnizioni degli sportelli, delle cavità e delle parti adiacenti:

Esterno:

Pulire la struttura esterna con un panno morbido inumidito

Sportello:

Utilizzando un panno morbido inumidito, pulire lo sportello e la finestra

Pulire le guarnizioni dello sportello e le parti adiacenti per rimuovere eventuali fuoriuscite o schizzi

Pulire il pannello di controllo con un panno morbido leggermente inumidito

Pareti interne:

Pulire la cavità con un panno morbido inumidito

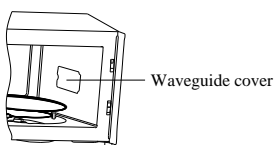
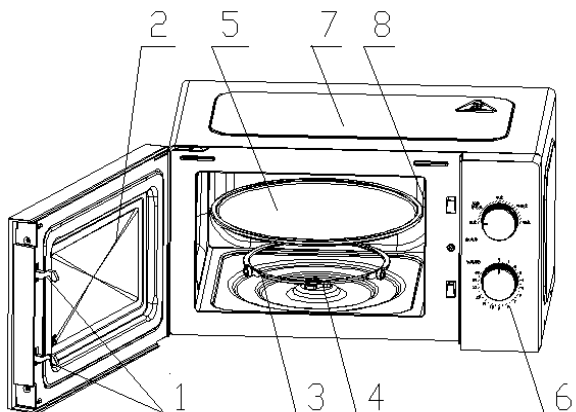
Pulire la copertura della guida d'onda per rimuovere eventuali schizzi di cibo

Piatto girevole/ Anello rotante / Asse rotante:

Lavare con acqua saponata tiepida

Risciacquare con acqua pulita e lasciare asciugare completamente

ISTRUZIONI DEL PRODOTTO



1) Blocco sportello

Lo sportello del forno a microonde deve essere chiuso correttamente per garantire il funzionamento

2) Finestra di visualizzazione

Permette all'utente di controllare lo stato della cottura

3) Anello rotante

Il piatto girevole di vetro poggia sulle rotelle; l'anello sostiene il piatto mantenendolo bilanciato durante la rotazione

4) Asse rotante

Il piatto girevole di vetro poggia sull'asse; il meccanismo sottostante permette la rotazione del piatto girevole

5) Piatto girevole

Gli alimenti poggiano sul piatto girevole; la rotazione durante il funzionamento aiuta a cuocere gli alimenti in modo uniforme



ATTENZIONE

- Posizionare prima l'anello rotante

- Montare il piatto girevole sull'asse rotante e assicurarsi che sia incastrato correttamente

6) Pannello di controllo

Consultare i dati sottostanti nei dettagli (il pannello di controllo è soggetto a modifiche senza preavviso)

7) Copertura esterna

Utilizzata per avvolgere e proteggere le parti strutturali interne e i componenti elettrici dell'intero elettrodomestico

8) Copertura della guida d'onda

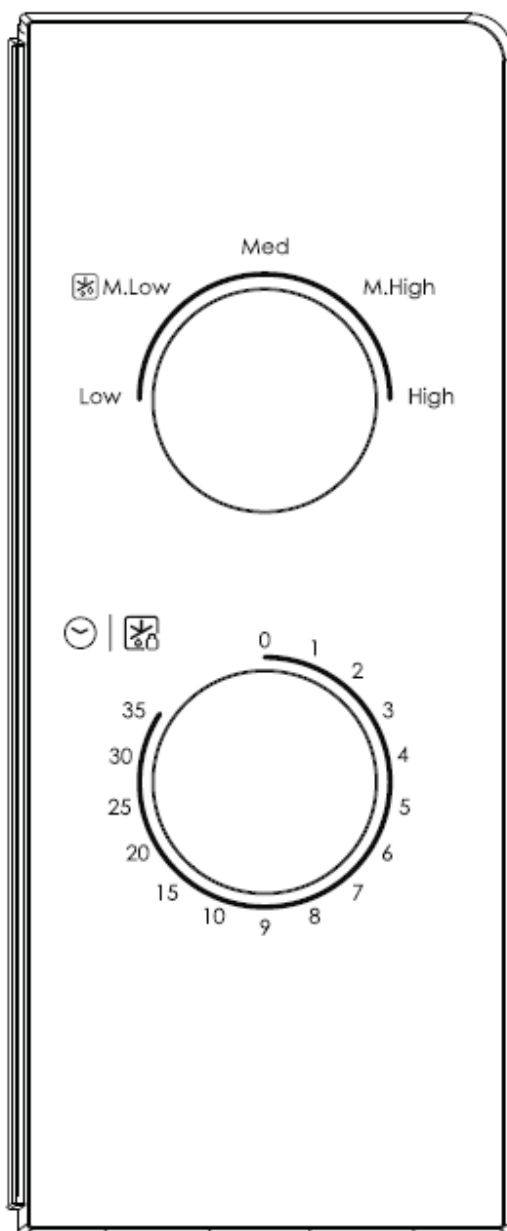
Si trova all'interno del forno a microonde, accanto alla parete del pannello di controllo.



AVVERTENZA

Non rimuovere mai la copertura della guida d'onda

FUNZIONAMENTO DEL PANNELLO DI CONTROLLO



1. IMPOSTAZIONE DELL'OROLOGIO

Il tempo di cottura massimo impostabile è 35 minuti; quando il timer scade, la manopola torna in posizione "0" e il forno emette un segnale acustico.

2. FUNZIONE MICROONDE

Esistono cinque livelli di potenza:

HIGH (ALTA)	Potenza prodotta 100%	700W	(Cottura veloce)
M.High (Medio alta)	Potenza prodotta 80%	550W	(Cottura normale)
Med (Media)	Potenza prodotta 55%	390W	(Cottura a bassa temperatura)
M.Low (Medio bassa)	Potenza prodotta 30%	200W	(Scongelo)
LOW (BASSA)	Potenza prodotta 17%	120W	(Mantenimento in caldo)

Di seguito sono riportati alcuni consigli in merito ai tempi di scongelamento degli alimenti:

	Peso	Tempo di scongelamento
Carne	0.1~1.0 kg	1:30~26:00
Pollame	0.2~1.0 kg	2:30~22:00
Pesce	0.1~0.9 kg	1:30~14:00

FUNZIONAMENTO

1) Collegare il cavo

- Prima di collegare il cavo, assicurarsi che il timer sia impostato sulla posizione "0".
- Non ostruire la ventilazione.

2) Posizionare gli alimenti sul piatto girevole in vetro e chiudere lo sportello

- Gli alimenti devono essere collocati in un contenitore

3) Selezionare il livello di potenza desiderato

4) Impostare il timer

Se il tempo desiderato è inferiore a 10 minuti, ruotare la manopola del timer in modo che superi il contrassegno dei 10 minuti, quindi tornare all'impostazione del tempo desiderata.

5) Una volta impostato il tempo desiderato, la cottura ha inizio. Per interrompere momentaneamente la cottura, è sufficiente aprire lo sportello in qualsiasi momento e richiuderlo per riprendere la cottura.

6) Allo scadere del tempo di cottura, il forno a microonde emette un segnale acustico; inoltre, la lampadina interna si spegne automaticamente.

Se il cibo viene rimosso prima dello scadere del tempo, assicurarsi di riportare il timer sulla posizione "0". Ciò evita che il forno a microonde venga attivato a vuoto.

GUIDA AGLI UTENSILI

A seconda del metodo di cottura, è necessario scegliere un recipiente sicuro e adatto. Se non viene selezionato correttamente, esso non solo influirà sull'effetto di cottura, ma causerà anche danni al contenitore o al forno a microonde. Si prega di fare riferimento alla tabella seguente per l'uso:

Materiale del contenitore	Microonde	Note
Ceramica resistente al calore	Sì	Non utilizzare mai contenitori in ceramica decorati con bordi in metallo o smaltati
Plastica resistente al calore	Sì	Non può essere utilizzata per cotture in microonde prolungate
Vetro resistente al calore	Sì	
Rastrelliera per grill	No	
Pellicola di plastica	Sì	Evitare l'uso durante la cottura di carne o briciole poiché la temperatura elevata potrebbe danneggiare la pellicola

SUGGERIMENTI PER LA COTTURA

I seguenti fattori potrebbero influenzare il risultato della cottura:

Disposizione degli alimenti

Disporre le parti più spesse verso l'esterno del piatto, la parte più sottile verso il centro e distribuire uniformemente. Non sovrapporre gli alimenti, se possibile.

Tempo di cottura

Iniziare la cottura impostando un tempo ridotto, valutare lo stato della cottura dopo lo scadere del tempo e prolungare la cottura in base alle esigenze. Una cottura eccessiva può causare fumo e bruciature.

Cuocere il cibo in modo uniforme

Alimenti come pollo, hamburger o bistecca devono essere girati una volta durante la cottura.

A seconda del tipo di alimento, ove applicabile, mescolare dall'esterno al centro del piatto una o due volte durante la cottura

Lasciare riposare gli alimenti

Trascorso il tempo di cottura, lasciare gli alimenti nel forno per un tempo adeguato; ciò permette di completare il ciclo di cottura e far raffreddare gradualmente il cibo

Come verificare che il cibo sia pronto

Il colore e la durezza del cibo aiutano a determinare se gli alimenti sono cotti, inoltre:

- Il vapore fuoriesce da tutte le aree del cibo, non solo dai bordi
- Le articolazioni del pollame possono essere spostate facilmente
- Il maiale o il pollame non mostrano presenza di sangue
- Il pesce è opaco e può essere facilmente tagliato con una forchetta

Piatto per doratura

Quando si utilizza un piatto per doratura o un contenitore auto-riscaldante, posizionare sempre sotto al piatto un componente isolante resistente al calore come un piatto di porcellana per evitare danni al piatto girevole e all'anello rotante.

Pellicola di plastica per microonde

Quando si cucinano cibi ad alto contenuto di grassi, evitare che la pellicola di plastica entri in contatto con gli alimenti, in quanto potrebbe sciogliersi

Contenitori di plastica per microonde

Alcuni contenitori di plastica per microonde potrebbero non essere adatti per cucinare alimenti ad alto contenuto di grassi e zuccheri. Inoltre, il tempo di preriscaldamento indicato nelle istruzioni per l'uso dei contenitori non deve essere superato.

MANUTENZIONE

RIPARAZIONI

Si prega di controllare quanto segue prima di chiamare l'assistenza.

1. Mettere una tazza d'acqua (circa 150 ml) in un misurino di vetro nel forno e chiudere correttamente lo sportello. La lampadina del forno dovrebbe spegnersi se lo sportello è chiuso correttamente. Attivare il forno per 1 min.

2. La lampada del forno si accende?

3. La ventola di raffreddamento funziona?

(Mettere la mano sopra le aperture di ventilazione posteriori.)

4. Il piatto girevole ruota?

(Il piatto girevole può ruotare in senso orario o antiorario. Ciò è normale.)

5. L'acqua all'interno del forno è calda dopo un minuto?

Se la risposta a una qualsiasi delle domande di cui sopra è "NO", si prega di controllare la presa a muro e il fusibile nella scatola del contatore.

Se sia la presa a muro che il fusibile funzionano correttamente, CONTATTARE IL CENTRO DI ASSISTENZA AUTORIZZATO PIÙ VICINO.

ACCORGIMENTI DI SICUREZZA PER LA MANUTENZIONE

Attenzione: RADIAZIONI EMESSE

1. **Avvertenza:** Nel microonde sono presenti radiazioni e alta tensione. Fatta eccezione per i tecnici addetti alla manutenzione, è severamente vietato smontare il dispositivo al fine di evitare danni alla propria salute. Non esporsi alle radiazioni emesse dai generatori di microonde o da altri componenti conduttori di energia a microonde!

Avvertenza: Quando il forno a microonde è in funzione, la temperatura della superficie è molto alta!

2. Durante la manutenzione, le parti elencate di seguito possono essere rimosse e dare accesso ai potenziali superiori a 250V a terra.

- Magnetron
- Trasformatore ad alta tensione
- Condensatore ad alta tensione
- Diodo ad alta tensione

3. Le seguenti condizioni possono causare un'eccessiva esposizione alle microonde durante la manutenzione.

- Montaggio improprio del magnetron;
- Una combinazione errata di interblocco, cerniera e sportello;
- Montaggio improprio del supporto interruttore;
- Sportello, guarnizione o struttura esterna danneggiati.

Corretto smaltimento di questo prodotto



Sull'elettrodomestico è riportato il simbolo di conformità alla Direttiva Europea 2012/19/CE in materia di smaltimento di rifiuti di apparecchiature elettriche ed elettroniche (RAEE). I rifiuti di apparecchiature elettriche ed elettroniche contengono sostanze inquinanti per l'ambiente e componenti basilari riutilizzabili. È fondamentale che i rifiuti di apparecchiature elettriche ed elettroniche siano sottoposti a trattamenti specifici per rimuovere e smaltire correttamente i materiali inquinanti e recuperare tutti i materiali riciclabili. Osservando alcune regole basilari, tutti possono contribuire a evitare danni ambientali causati dai rifiuti di apparecchiature elettriche ed elettroniche:

- i rifiuti di apparecchiature elettriche ed elettroniche non devono essere gestiti come rifiuti domestici;
- i rifiuti di apparecchiature elettriche ed elettroniche devono essere conferiti in aree di raccolta dedicate gestite a livello municipale o da una società registrata.

In molti paesi potrebbe essere disponibile il prelievo a domicilio per i rifiuti di apparecchiature elettriche ed elettroniche di grandi dimensioni. Quando si acquista un nuovo elettrodomestico, quello vecchio può essere restituito al rivenditore che è tenuto ad accettarlo gratuitamente, purché sia di tipo equivalente e abbia le stesse funzioni di quello acquistato.